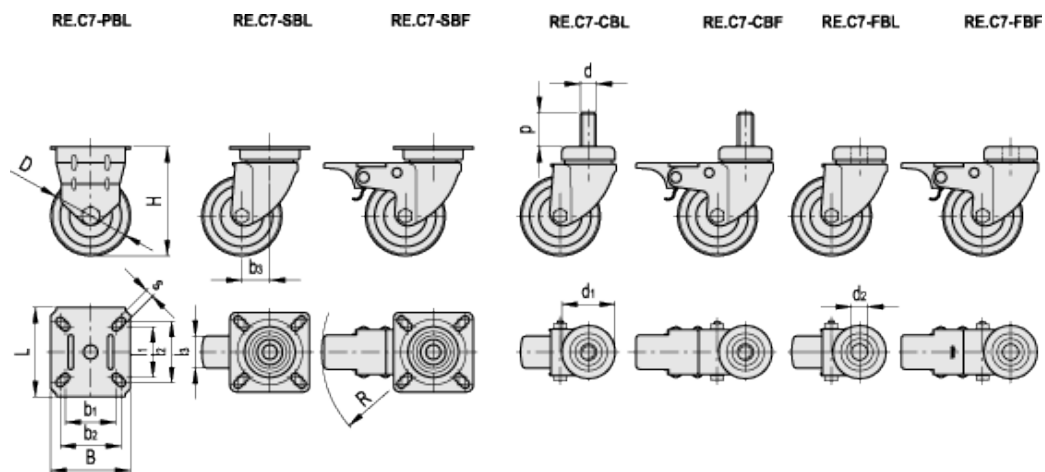


RE.C7



Vulcanised rubber wheels for the general public



technical informations

Covering

Grey anti-trace vulcanised rubber.

Wheel centre body

Polyamide-based technopolymer (PA). Resistant to solvents, oils, greases and other chemical agents.

Hub

Directly made into the centre.

Axle set

Calibrated zinc-plated steel precision tube. The tube serves as a spacer, is tightened to the bracket with screw and nut to a un predetermined torque value. The wheel bore rotates onto the tube freely.

Fixed plate bracket

Electrolytically zinc-plated steel plate bracket.

Turning plate bracket

Electrolytically zinc-plated steel sheet bracket.

The presence of two ball turns and the direct contact between the plate and the ball race ring with built-in pin ensure excellent manoeuvrability and very limited clearance.

Front-actuated brake

Total brake that locks the wheel and bracket rotation. The optimised dimensions and the retractible pedal ensure minimal space occupied and maximum actuation ease.

Standard executions

- PBL: fixed plate bracket, without brake.
- SBL: turning plate bracket, without brake.
- SBF: turning plate bracket, with brake.
- CBL: turning plate bracket and threaded centre pin, without brake.
- CBF: turning plate bracket and threaded centre pin, with brake.
- FBL: turning plate bracket with centre pass-through hole, without brake.
- FBF: turning plate bracket and pass-through hole, with brake.

Applications

Wheels for the general public, excellent smoothness and elasticity features.

Environmental conditions

The wheel RE.C7 is suitable for use in humid environments and in the presence of medium-aggressive chemical environments; use in environments with the presence of organic, chlorinated solvents, hydrocarbons and mineral oils is not recommended.



Standard Elements

Main dimensions

Dynamic carrying capacity #

Weight

Code	Description	D	l ₃	H	B	L	s	b ₁	l ₁	b ₂	l ₂	b ₃	R	d	p	d ₁	d ₂	[N]	g
452096	RE.C7-040-PBL	40	18	59	42	42	5	27	27	33	33	-	-	-	-	-	-	300	110
452101	RE.C7-050-PBL	50	20	67	55	55	6	38.5	38.5	44	44	-	-	-	-	-	-	350	200
452106	RE.C7-060-PBL	60	24	83	60	67	6	39.5	39.5	48	48	-	-	-	-	-	-	500	260
452111	RE.C7-080-PBL	80	24	104	60	67	6	39.5	39.5	48	48	-	-	-	-	-	-	550	340
451996	RE.C7-040-SBL	40	18	59	42	42	5	30	30	33	33	24	-	-	-	-	-	300	120
452001	RE.C7-050-SBL	50	20	67	55	55	6	38.5	38.5	44	44	24	-	-	-	-	-	350	200
452006	RE.C7-060-SBL	60	24	83	60	60	6	38.5	38.5	48	48	21	-	-	-	-	-	500	280
452011	RE.C7-080-SBL	80	24	104	60	60	6	38.5	38.5	48	48	30	-	-	-	-	-	550	430
452046	RE.C7-040-SBF	40	18	59	42	42	5	30	30	33	33	24	78	-	-	-	-	300	150
452051	RE.C7-050-SBF	50	20	67	55	55	6	38.5	38.5	44	44	24	76	-	-	-	-	350	240
452056	RE.C7-060-SBF	60	24	83	60	60	6	38.5	38.5	48	48	21	84	-	-	-	-	500	400
452061	RE.C7-080-SBF	80	24	104	60	60	6	38.5	38.5	48	48	30	91	-	-	-	-	550	500
452146	RE.C7-040-CBL	40	18	59	-	-	-	-	-	-	-	24	-	M8	15	35	-	300	130
452151	RE.C7-050-CBL	50	20	66	-	-	-	-	-	-	-	24	-	M8	15	35	-	350	180
452156	RE.C7-060-CBL	60	24	83	-	-	-	-	-	-	-	21	-	M12	25	41	-	500	290
452161	RE.C7-080-CBL	80	24	104	-	-	-	-	-	-	-	25	-	M12	25	41	-	550	390
452196	RE.C7-040-CBF	40	18	59	-	-	-	-	-	-	-	24	78	M8	15	35	-	300	180
452201	RE.C7-050-CBF	50	20	66	-	-	-	-	-	-	-	24	76	M8	15	35	-	350	210
452206	RE.C7-060-CBF	60	24	83	-	-	-	-	-	-	-	21	84	M12	25	41	-	500	360
452211	RE.C7-080-CBF	80	24	104	-	-	-	-	-	-	-	25	91	M12	25	41	-	550	460
452246	RE.C7-040-FBL	40	18	59	-	-	-	-	-	-	-	24	-	-	-	35	10	300	110
452251	RE.C7-050-FBL	50	20	66	-	-	-	-	-	-	-	24	-	-	-	35	10	350	200
452256	RE.C7-060-FBL	60	24	83	-	-	-	-	-	-	-	21	-	-	-	41	12	500	280
452261	RE.C7-080-FBL	80	24	104	-	-	-	-	-	-	-	25	-	-	-	41	12	550	430
452296	RE.C7-040-FBF	40	18	59	-	-	-	-	-	-	-	24	78	-	-	35	10	300	140
452301	RE.C7-050-FBF	50	20	66	-	-	-	-	-	-	-	24	76	-	-	35	10	350	240
452306	RE.C7-060-FBF	60	24	83	-	-	-	-	-	-	-	21	84	-	-	41	12	500	400
452311	RE.C7-080-FBF	80	24	104	-	-	-	-	-	-	-	25	91	-	-	41	12	550	500

See [Technical Data](#) for dynamic carrying capacity.



ELESA and GANTER models all rights reserved in accordance with the law. Always mention the source when reproducing our drawings.

STANDARD MACHINE ELEMENTS WORLDWIDE